

ENCASED TRANSFORMER IP65

PVST

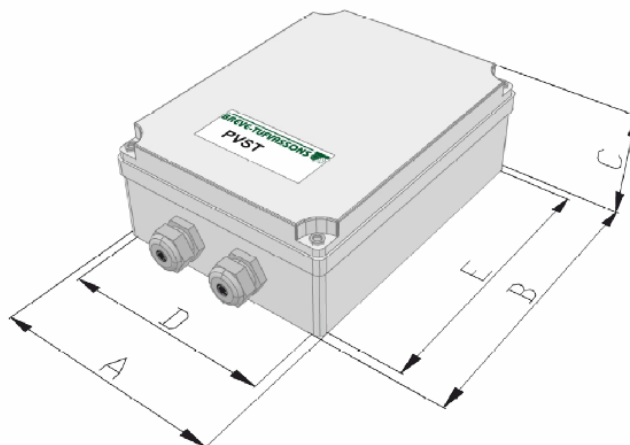


Encased protective transformers suited mainly for applications requiring protection against electric shock and high IP grade. PVST is a stationary version, free-standing or wall mounted. The transformers are made with Class II insulation and protection grade IP56, maximum ambient temperature 40°C, thermal class of insulation B (130°C). Manufactured in compliance with EN 61558-1 and EN 61558-2-6.

Rated power: 100 - 500 VA

Rated voltage PRI: 230 V 50/60 Hz

Rated voltage SEC: 12V; 24V



Type	Power [VA]	Dimensions [mm]					Mounting	Weight [kg]
		A	B	C	D	E		
PVST 100	100	118	158	76	97	137	M4	1,60
PVST 200	200	148	198	76	127	177	M4	2,99
PVST 300	300	148	198	96	127	177	M4	3,60
PVST 400	400	198	248	86	177	227	M4	4,57
PVST 500	500	198	248	86	177	227	M4	5,57

As a result of constant development of product construction and changes concerning technical requirements, Breve Tufvassons reserves the right to change the parameters mentioned above.